

IF IN DOUBT ASK
DO NOT SCALE

A

B

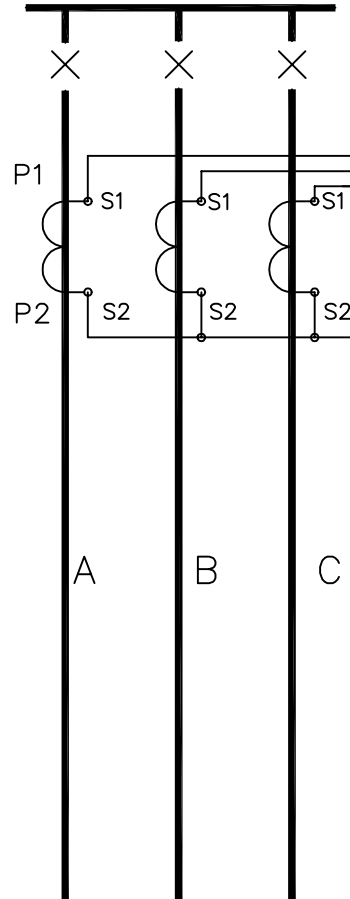
C

D

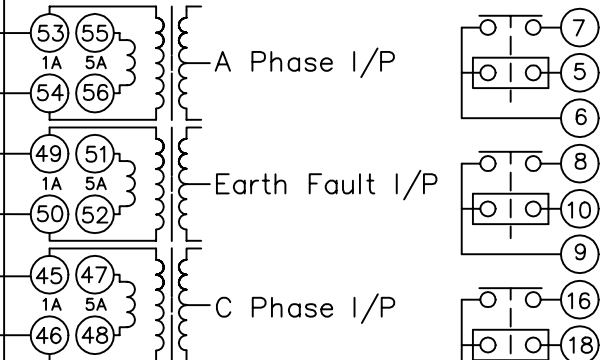
E

F

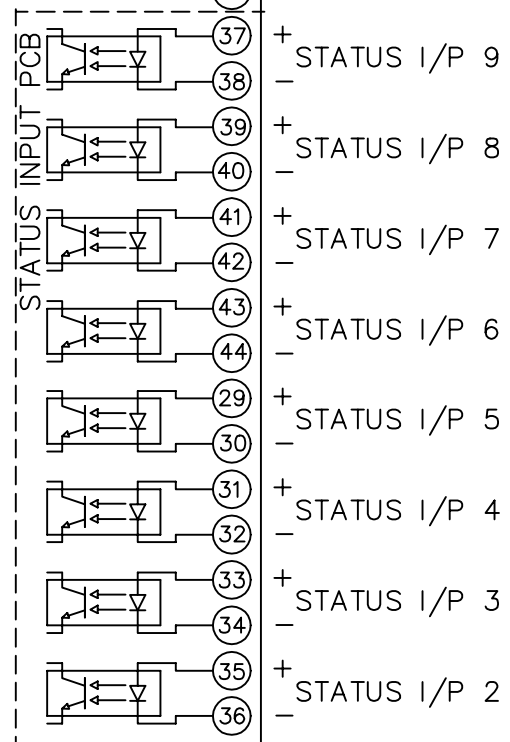
BUSBARS



DCD31x C R6 Case Size



- RELAY 1 (7, 5, 6)
- RELAY 2 (8, 10, 9)
- RELAY 3 (16, 18, 17)
- RELAY 4 (11, 12)
- RELAY 5 (19, 20)
- RELAY 6 (21, 22)
- RELAY 7 (23, 24)



D.C Auxilliary Input Volts
+ (13)
- (14)
Earth (15)

STATUS I/P 1
+ (3)
- (4)

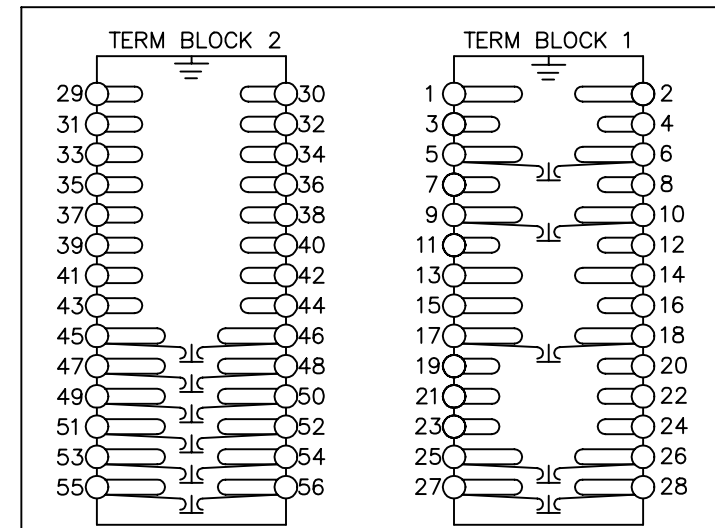
TX
RX
Fibre-Optic SMA Connectors

NOTES

- 1 CT CIRCUITS ARE SHOWN CONNECTED TO RELAY 1 AMP TAP. USE ALTERNATIVE TAP FOR 5AMP RATED CTs.
- 2 CT & EARTH CONNECTIONS ARE TYPICAL ONLY.
- 3 FOR TERMINAL DIAGRAM SEE 2434W20001 (A2)
- 4 DRG SHOWS OPTION C (7 O/P. 9 I/P).

NOT SUBJECT TO UPDATE
ONCE COPIED / PRINTED
OR DOWNLOADED

TERMINAL BLOCKS VIEWED FROM REAR



KEY
1 Short Terminals
2 Long Terminals
3 CT Shorting Links

MATERIAL:

Dimensions in millimetres : Surface texture in micrometres.
Machine where marked ✓
For explanation of dimensions, tolerances, notes etc. see B.S.308.
Limit on untoleranced unmachined dimensions ± _____
Limits on untoleranced machined dimensions to B.S.4500;
i.e. up to 6±0.1; over 30 to 120±0.3; over 315±0.8;
over 6 to 30±0.2; over 120 to 315±0.5;
General unmachined angular tolerance ± _____

Finish:

Treatment:

Title:
TYPICAL SCHEMATIC DIAGRAM FOR 2 PHASE + E/F
DCD OVERCURRENT RELAY

**Reyrolle Protection
Hebburn.**

Original Scale:
NTS

First used on:
Similar Articles: 2434W10016
Supersedes:

Drg. No.
2434W10030

DRAWN M LEASK	CHECKED	APPROVED R.D.WATSON	DATE 23/07/02	IE	OPS	PCP	Purch.Spec. TQ	EAC	CE	STD	A3
---------------	---------	---------------------	---------------	----	-----	-----	----------------	-----	----	-----	----

1	16/10/97	CHANGE NOTED
ISSUE	DATE	

Copyright © Reyrolle Ltd.